

JS-WP301HD

- HDMI
- EDID
- 1080P
- 4K



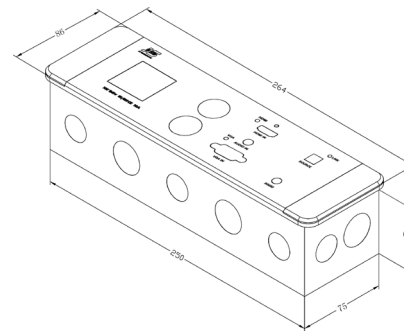
Overview

JS-WP301HD is a Wall Plate which supports HD conversion. It uses high performance and professional conversion chip to transform VGA+AUDIO and HDMI signals into HDMI signal output. It supports VGA resolutions from 640*480 to 1920*1080p or 1920*1200. User can switch signals through push-button on the panel.

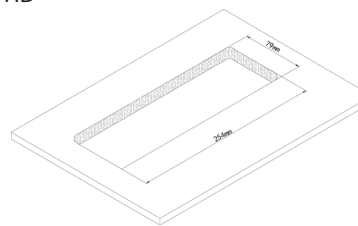
JS-WP301HD combine strong and weak electricity together to meet multiple demands, adopt high quality aluminium material with sandblasting finishes.

Product Features

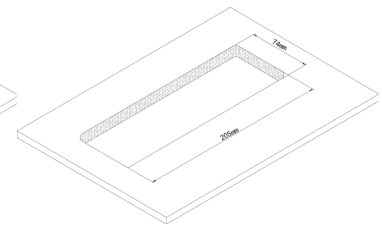
- 6mm aluminum-magnesium alloy panel;
- Provide wall mounted box for wall installation;
- Supports VGA+AUDIO, HDMI signal inputs, HDMI signal output, includes the push-button with select and switch function;
- Adopts digital synchronous identification process technology, image output will be more stable;
- Complete SMD craft, special ESD protection technology;
- Supports signal timing reformed, shows 1920X1080P HD image perfectly;
- Supports Blu-ray embedded audio;
- Supports Key function.



Overall Dimension (mm)



Wall Cutout Dimension
(Please match with bottom box)
(mm)



Bottom Box Dimension
(mm)

Main Specification

Model : JS-WP301HD
 Dimensions: Panel: 264mm*86mm
 Wall Cutout Dimension: 254mm*79mm*65mm
 Table Cutout Dimension: 205mm*74mm

Signal input : VGA+AUDIO、HDMI
 VGA input formats : VESA1.1 specification
 Output format : HDMI1.4, support embedded audio, 1920*1080p resolution
 Audio input: Stereo audio
 Input signal noise reduction : Support deinterlacing, 2D and 3D DNR etc

Digital signal input impedance: difference 100Ω

Digital signal input arc: 800mVp-p

Analog signal input impedance: 75Ω

Analog signal input arc: 0.75Vp-p

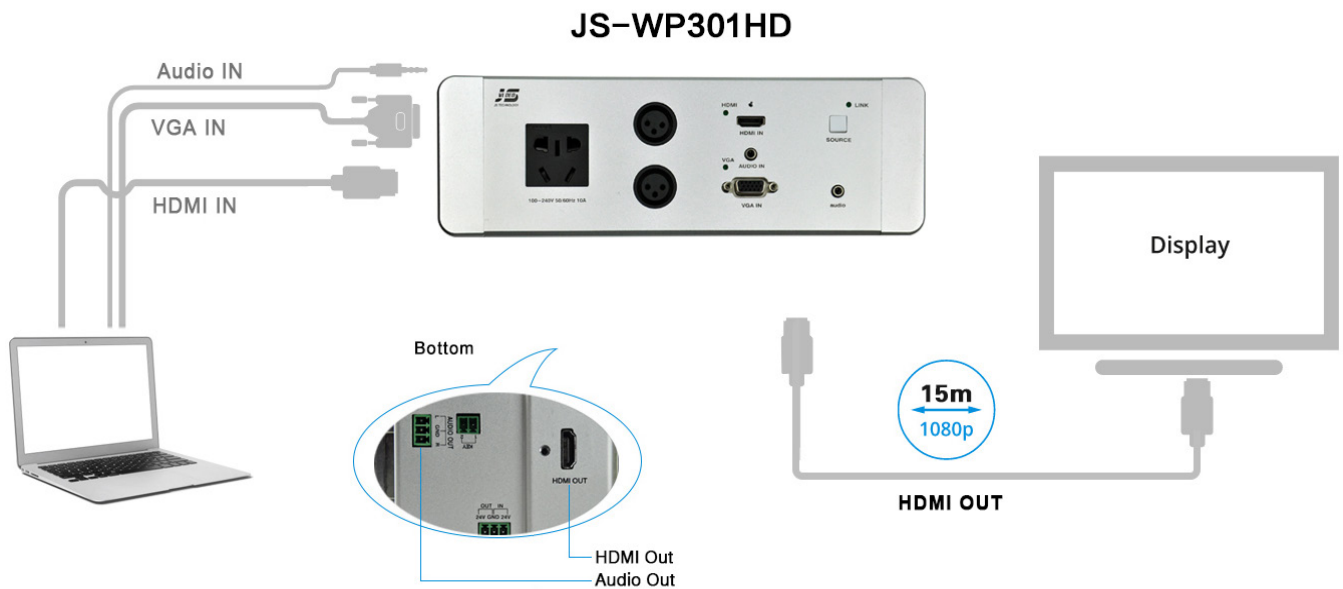
Signal delay: image delay (1 frame)

Signal output: 1 route HDMI (Type-A HDMI latch female connector)

HDMI output: HDMI 1.4 version supports embedded audio (when input source is HDMI, output is Hembed embedded audio; when input source is analog signal, audio input will be automatically selected as external audio)

Audio output: 3P Phoenix Type: Unbalance Stereo Analog

Connection diagram



CONNECTOR OPTIONS



AC OUTLET OPTIONS

