

JS-U101HD

■ HDMI ■ EDID ■ 1080P ■ 4K



Overview

JS-U101HD is a Undertable Interconnect Box which supports HD conversion. It uses high performance and professional conversion chip to transform VGA+AUDIO and HDMI signals into HDMI signal output. It supports VGA resolutions from 640*480 to 1920*1080p or 1920*1200. User can switch signals through push-button on the panel.

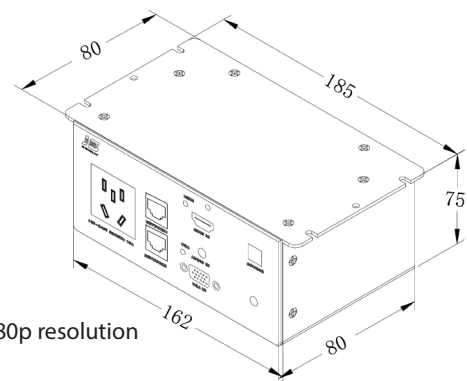
The JS-U101HD Interconnect box provides a neat, compact and simple connection solution. It is designed to be installed under and on the side of the table to maintain the integrity of the table. It adopts a hoisting structure design and is easy to install (only 4 screws to fix). The box body is made of 2mm aluminum-magnesium alloy, and the surface is treated with multiple processes of oxidation and sandblasting. It is lightweight, beautiful and elegant.

Product Features

- The box body adopts aluminum-magnesium alloy, and the surface is treated with oxidation and sandblasting, lightweight and beautiful.
- Installed under and on the side of the table. It only needs 4 screws to fix it to make construction more simple;
- Supports VGA+AUDIO, HDMI signal inputs, HDMI signal output, includes the push-button with select and switch function;
- Adopts digital synchronous identification process technology, image output will be more stable;
- Complete SMD craft, special ESD protection technology;
- Supports signal timing reformed, shows 1920X1080P HD image perfectly;
- Supports Blu-ray embedded audio;
- Supports Key function.

Main Specification

Signal input :	VGA+AUDIO、HDMI
VGA input formats :	VESA1.1 specification
Output format :	HDMI1.4, support audio embedding ,1920*1080p resolution
Audio input:	Stereo audio
Input signal noise reduction :	Support deinterlacing, 2D and 3D DNR etc
Digital signal input impedance:	difference 100Ω
Digital signal input arc:	800mVp-p
Analog signal input impedance:	75Ω
Analog signal input arc:	0.75Vp-p
Signal delay:	image delay (1 frame)



Overall Dimension (mm)

Signal output: 1 route HDMI (Type-A HDMI latch female connector)
 HDMI output: HDMI1.4, support audio embedding (when input source is HDMI, output HDMI Audio embedding; when input source is analog signal, audio input will be automatically selected as external audio)
 Audio output: 3P Phoenix Type: Unbalance Stereo Analog
 Dimensions: 185mm*80mm*75mm

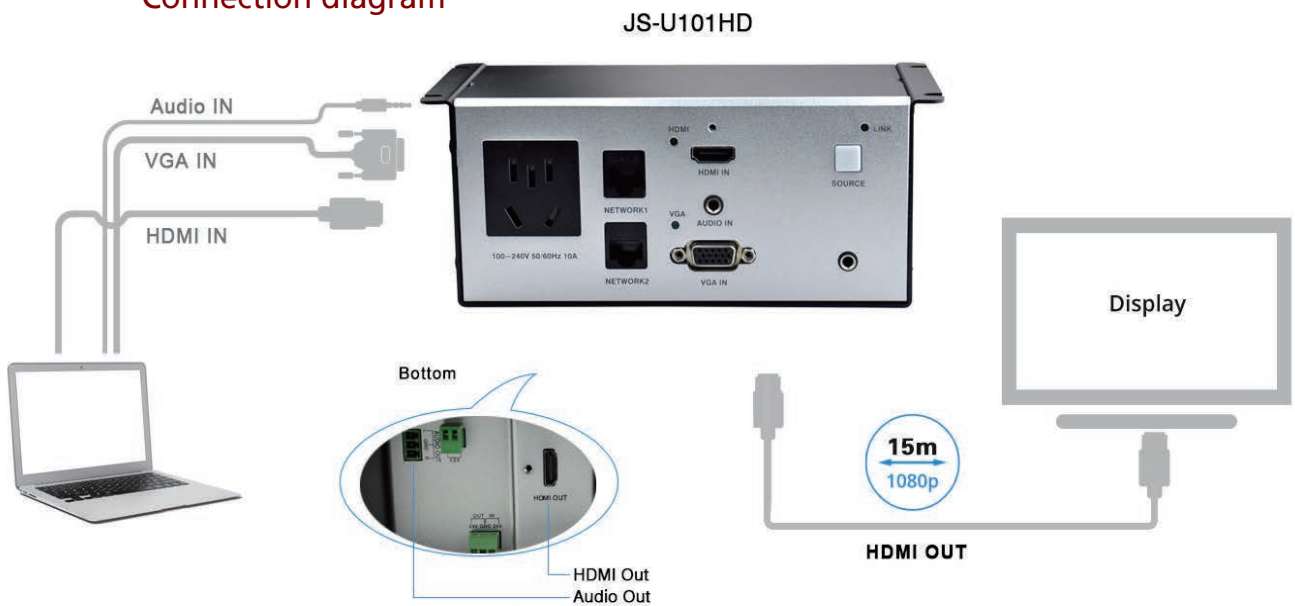


Application

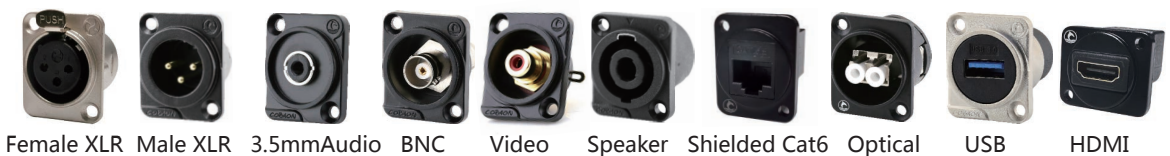


Back

Connection diagram



CONNECTOR OPTIONS



AC OUTLET OPTIONS

