

## JS-DC4 Series



JS-DC400



JS-DC402

### Description

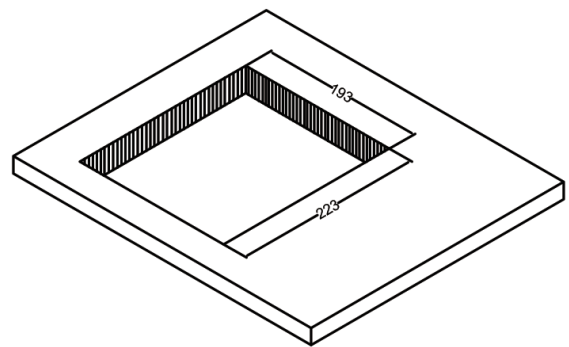
JS-DC4 Floor box can be permanently installed on different grounds to solve various ports for connecting wiring from the ground. Big cable pass through holes accept bulk cables come out when panel closed.

### Product Features

- The design of side interface makes the panel closed easily after cable connected;
- Support multiple panel options, integrate more effectively into the work environment;
- Connector Options:
  - DC400 max accommodate 2 power + 8 media connectors; 12 media connectors; Or 4 power + 4 media connectors;
  - DC402 max accommodate 1 power + 4 media connectors; 6 media connectors; Or 2 power + 2 media connectors ;
- The panel is formed integrally by laser cutting, strong load-bearing capacity.

### Main Specification

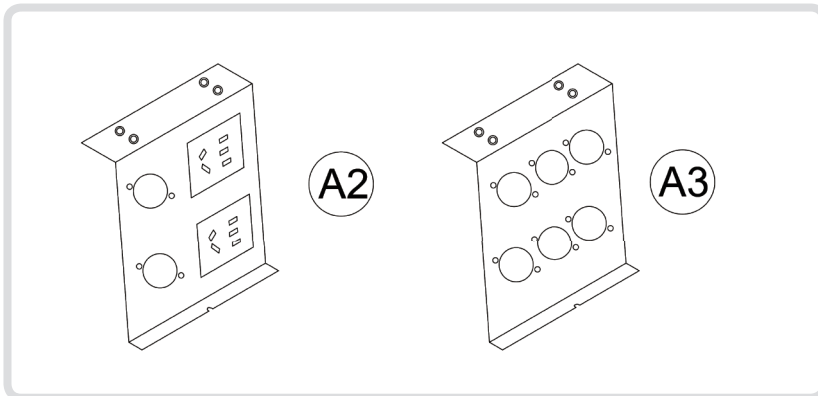
Model JS-DC400  
 Temp. range 0~50°C(Non-condensing)  
 Dimensions Panel :  
 A,B Type: 240mm\*210mm\*6mm  
 C,D Type: 220mm\*190mm\*19mm  
 Box: 220mm\*190mm\*100mm  
 Cutout:  
 A,B Type: 223mm\*193mm\*100mm(±1mm)  
 C,D Type: 223mm\*193mm\*119mm(±1mm)  
 (Embedded panel dimension is included)



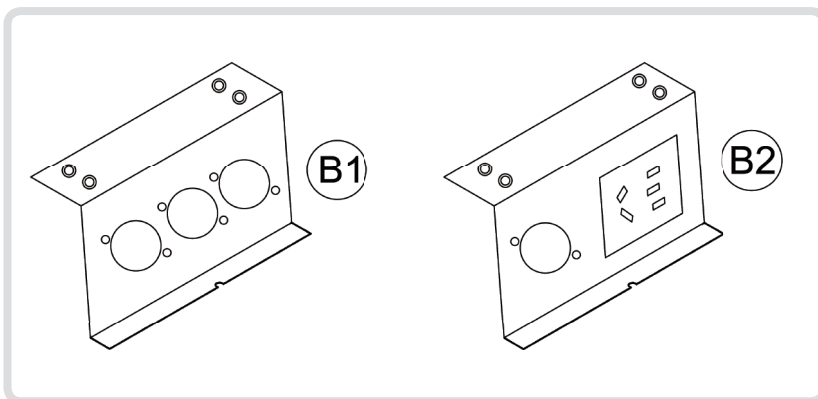
Cutout Dimension ( mm)

Model JS-DC402  
 Temp. range 0~50°C(Non-condensing)  
 Dimensions Panel:  
 A,B Type: 240mm\*210mm\*6mm  
 C,D Type: 220mm\*190mm\*19mm  
 Box: 220mm\*190mm\*65mm  
 Cutout:  
 A,B Type: 223mm\*193mm\*65mm (±1mm)  
 C,D Type: 223mm\*193mm\*84mm (±1mm)  
 (Suggest to open hole as real product)

### Interface Options

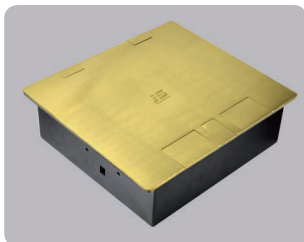


DC400



DC402

### Panel Configuration



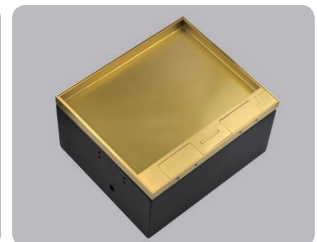
GOLD(A)



SILVER(B)



EMBEDED(C)



EMBEDED(D)

### CONNECTOR OPTIONS



Female XLR Male XLR 3.5mmAudio BNC Video Speaker Shielded Cat6 Optical USB HDMI

### AC OUTLET OPTIONS



China Universal UK 2-Pin Europe SA France US Australia