

JS-DC100HDC

- **HDBT™**
- **HDCP2.2**
- **HDMI2.0**
- **4K@60Hz**
- **PoC**

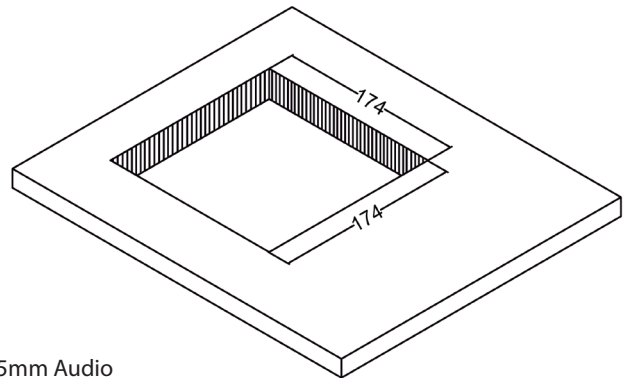


Overview

JS-DC100HDC is a Floor Interconnect Box which supports HD conversion and long distance transmission. It can transmit TYPE-C, HDMI and Audio signals up to 150m(4K@30Hz) or 90m(4K@60Hz) over one CAT6 cable which is easy to install. JS-DC100HDC delivers uncompressed video & digital audio to a network of devices or to a single device (point to point). It supports resolutions up to 4K@60Hz.

Product Features

- Transmits HD Video and Audio signals up to 150m(4K@30Hz) or 90m(4K@60Hz) over one CAT6 cable;
- Supports 4K@60Hz 4K@30Hz 1080P signal transmission, 4K@60 RGB/YCBCR 4:4:4;
- Input: Type-C, HDMI signal;
- HDBaseT compliant;
- Supports HDMI 2.0 version; HDCP2.2 version;
- Supports PoC function;
- Supports auto /manual signal switch two operations;
- Supports HDCP, EDID compliant and DDC function.



Cutout Dimension(mm)

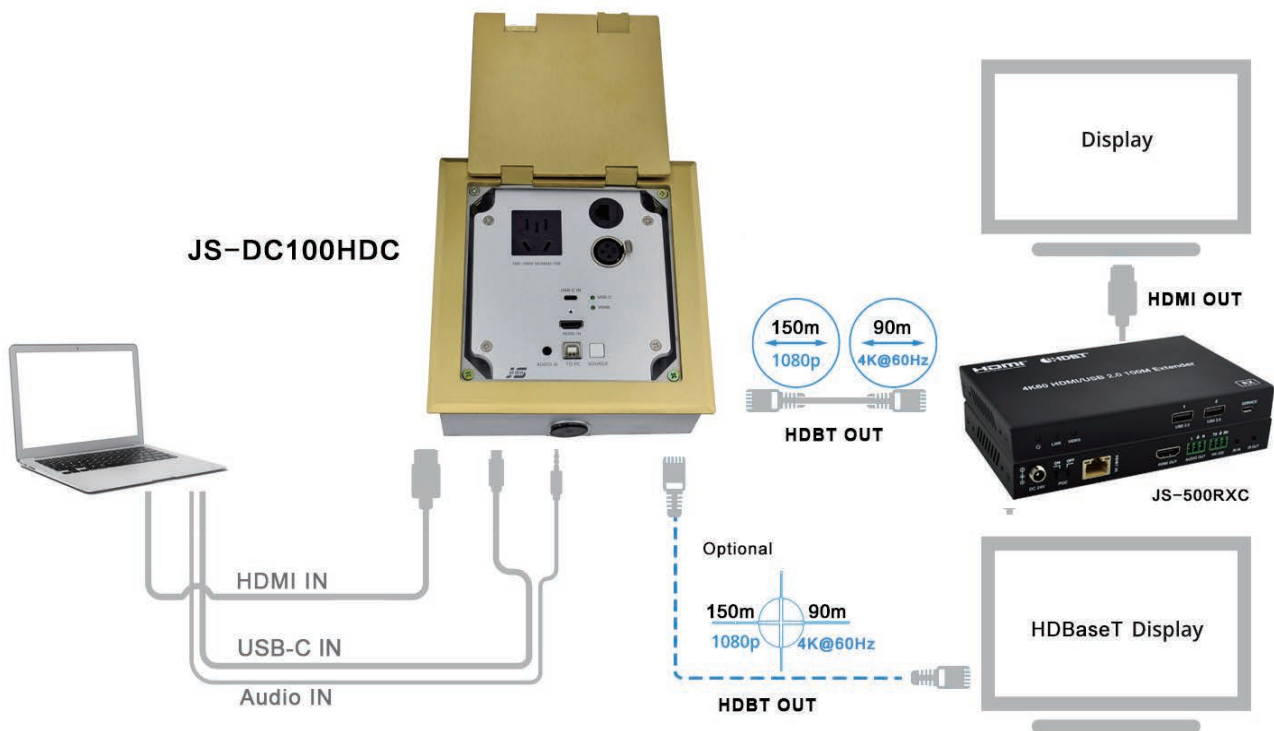
Main Specification

Video Input: 1*HDMI, 1*Type C [19-pin female], 1*USB-B, 1*3.5mm Audio
 Output: 1*HDBaseT signal
 Output connector type: RJ45 (HDBaseT signal)
 Transmission protocol: HDBaseT compliant
 Bandwidth: HDMI: 18Gbps Type-C: 5.4 Gbps
 HDMI video resolution: up to 4K2K@60Hz 4:4:4
 Color space: RGB 4:4:4, YCbCr 4:4:4, YCbCr 4:2:2, YCbCr 4:2:0
 Bit depth: 8/10/12bit

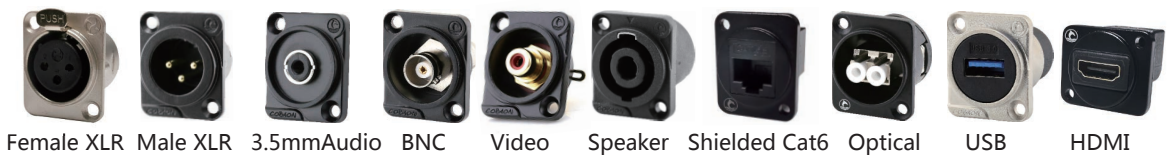
Audio HDMI audio format: LPCM 7.1CH, Dolby True HD, and DTS-HD Master
 Analog Audio embedding: 48KHz

Environmental	Standard: HDMI 2.0 version HDCP 2.2 version Transmission distance: 90m (4K@60Hz signal) 150m (4K@30Hz 1080P signal) Power: 100 ~ 240V (build in 24V converter) 24V/1A support double-sided PoC power supply Power: ≤ 20W Operating temperature: -10° C ~ +55° C Humidity: 20% ~ 95%RH (Non-condensing)
Dimension	Panel : 180mm*180mm*4mm Box : 172mm*172mm*65mm

Connection diagram



CONNECTOR OPTIONS



AC OUTLET OPTIONS

