

JS-4 Series

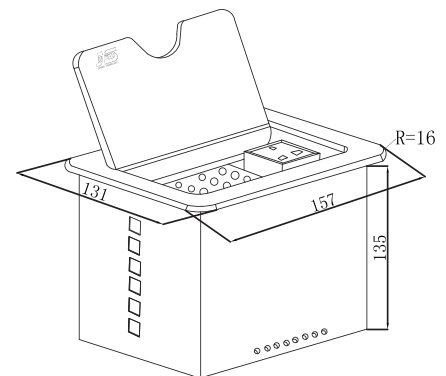


Description

JS-4 Series Interconnect Box integrates the box body and various interfaces to provide an orderly, simple and compact conference connection solution. JS-4 series is of cover-lift wire-pulling structure. Lifting its inner plate of the panel and pulling out cable, it is ready for use; Put cables back into the box and close the inner plate, cables are concealed and the Interconnect box is flush to the table surface.

Product Features

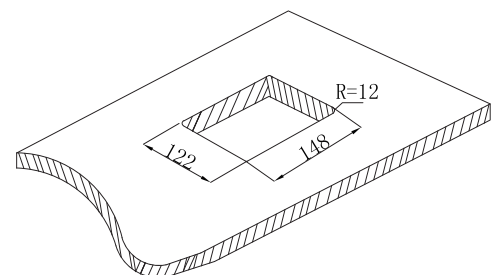
- It is designed with cover-lift, wire-pulling structure, containing up to 6 cables;
- When used, simply pull out cable for connection, easily and economically;
- With 1.7m cables;
- Top surface available in brushed black or silver finishes, custom finishes are accepted.



Overall Dimension(mm)

Main Specification

Model	JS-4
Table Thickness	Maximal 60mm,125mm(to be connected to extended part)
Temp. range	0 ~ 50°C (Non-condensing)
Weight	About 2.5kg ~ 3kg
Dimensions	Panel: 157mm*131mm R=16mm Cutout Dimension: 148mm*122mm R=12mm Package: 200mm*170mm*200mm



Cutout Dimension(mm)